

Please read the user manual before using the product and keep it for future reference.

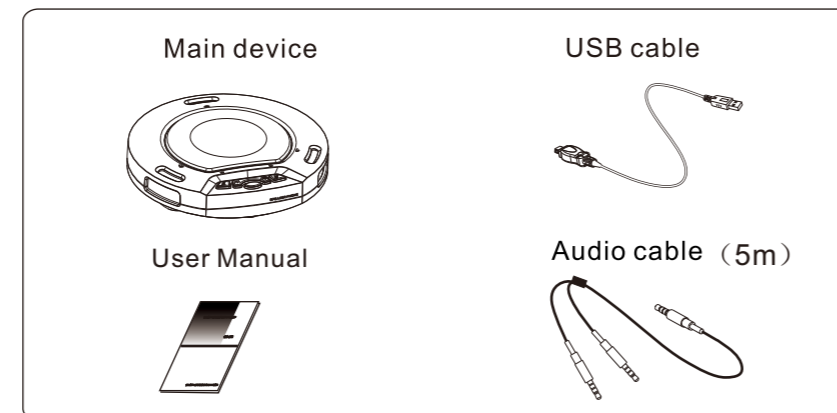
## Product Overview

Thank you for choosing Angekis. This Cleartalk Wired ASP-05 conference speakerphone is an excellent audio solution for high quality internet voice conferencing. It operates over a simple plug and play USB connection with PCs, Macs, and other computer systems. With 360 degree coverage, up to 3 meters of pickup range, and simplicity of operation, it can cover most audio conferencing scenarios. The device utilizes a number of technologies, including dynamic noise reduction, echo cancellation and full duplex communication to make your meetings sound great while enabling a natural conversational flow.

Main features:

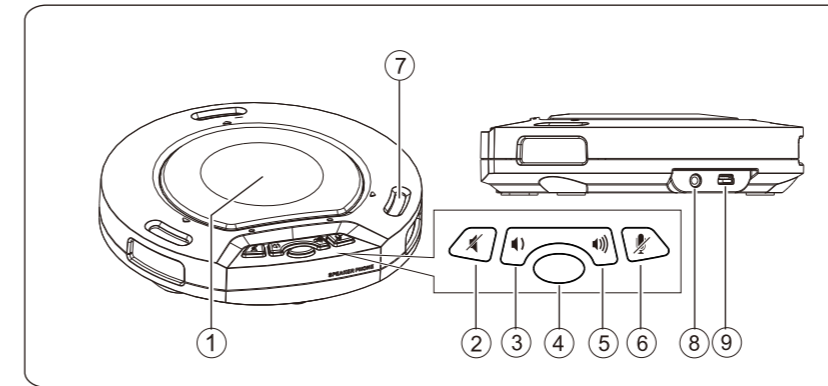
1. Light, elegant and versatile.
2. Firm and compact structural design.
3. Full two-way duplex communication.
4. Supports Internet conferencing.
5. Excellent loudspeaker.
6. Plug-and-play USB interface does not require additional drivers.
7. Power over USB.

## Packing List



## Device Description

### A. Description of Structure and Functions



#### 1. Loudspeaker:

The loudspeaker produces sound in response to an electrical audio signal input.

#### 2. Loudspeaker Mute button

Press turn off the sound output of the loudspeaker. Press again to turn on the sound output of the loudspeaker.

#### 3. VOL - Button

Press to turn down the sound of the loudspeaker gradually.

#### 4. button (Limited to some models) or button (Limited to some models) :

Press the button to select the pick-up direction of the microphone in order. Press the button, from speech mode into music mode, then once again back to speech mode. In the music mode, the microphone will be closed.

#### 5. VOL + Button

Press in turn, it will gradually turn up the sound of the loudspeaker.

#### 6. Microphone Mute Button

Press to turn off all microphones. To cancel the mute function, please press again.

#### 7. Microphone:

Pick up sound.

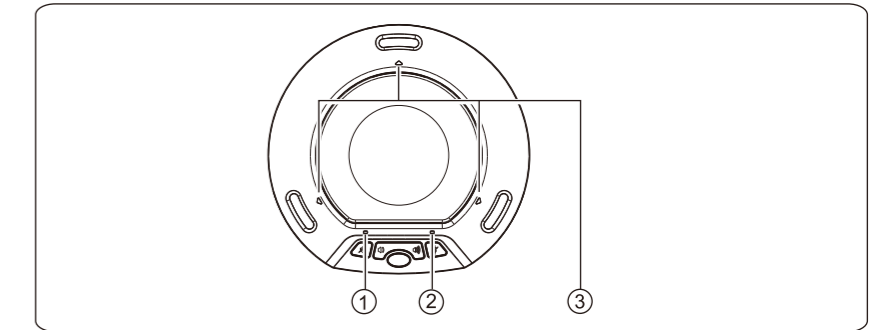
#### 8. AUDIO port:

Used to connect with audio cable.

#### 9. USB port:

Used to connect with USB cable.

### B. Description of Indicator Status



**1. Bottom left indicator:** When the loudspeaker gives out sound normally, the light is off; when the loudspeaker is muted, the light is on; when the loudspeaker is adjusted to the maximum/minimum volume, the light will blink.

**2. Bottom right indicator:** When the microphone is picking sound normally, the light is off; when the microphone is muted, the light is on.

**3. Triangular indicator:** Equipment working status indicator light.

## Device Functionality

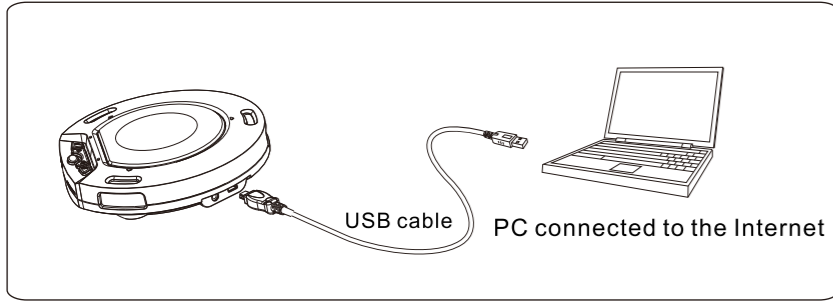
### A. Operating the Device with a Computer

#### 1. Preparations before installation

This device is compatible with computer equipment installed with operating systems such as Microsoft Windows, Mac OSX, Linux and others. A USB 1.1 or higher (USB 2.0 recommended) port and internet connection are required, as well as an appropriate internet communications application (Skype, Zoom, MS Teams, etc.). The device itself is plug-and-play and requires no additional drivers on most systems.

#### 2. Installation before use

As shown in the picture, insert one end of the included USB cable into the USB port of the speakerphone, with the other end inserted into the USB port of the computer.



### 3. Voice Call

Launch the communications software on the computer and connect/enable the device through the software client. This may be somewhere in the software settings where you can choose the device.

### 4. Adjusting the sound volume of the loudspeaker

During the conference call, if the sound volume of the loudspeaker is too low or too high, you can press or on the device repeatedly to adjust it to a suitable level. If the sound volume is still not proper, you can adjust the sound volume of the loudspeaker on the PC.

### 5. Adjusting the sound volume of the microphone

During the conference call, if the sound heard by the counterpart is too low or too high, you can ask the counterpart to adjust the sound volume on their end. If it's still not proper, you can adjust the sound volume of the microphone on the PC.

### 6. Mute the microphone

During the conference call, to mute your sound, please press on the main device. While muted, the mute indicator will be on. While the microphone is active, the mute indicator will be off. When mute is on, you can hear the sound of the counterpart, but the counterpart cannot hear your sound. To cancel the mute status, please press on the main device again.

### 7. Mute the loudspeaker

During the conference call, press to turn off the sound of the speaker. The mute indicator on the loudspeaker will turn on; to turn on the sound back on, please press again. The mute indicator will turn off.

### 8. End the conference call

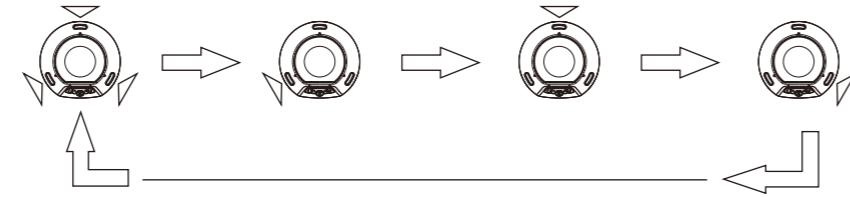
To end the call, simply close the connection on your internet communications software.

#### Attention:

- 1) You cannot connect other loudspeaker products to the computer while simultaneously operating this speakerphone, as this may cause functional abnormalities.
- 2) Please connect the device directly to the computer. Connecting via a USB hub might result in operational problems.

### 9. Selection of the pick-up direction of the microphone (Limited to certain models)

The default setting is to enable all microphones for 360 degree coverage. In order to isolate audio pickup to only one microphone and limit the pickup direction, press the button. Each press will switch which microphone is enabled, moving in a clockwise direction, as shown in the diagram below.



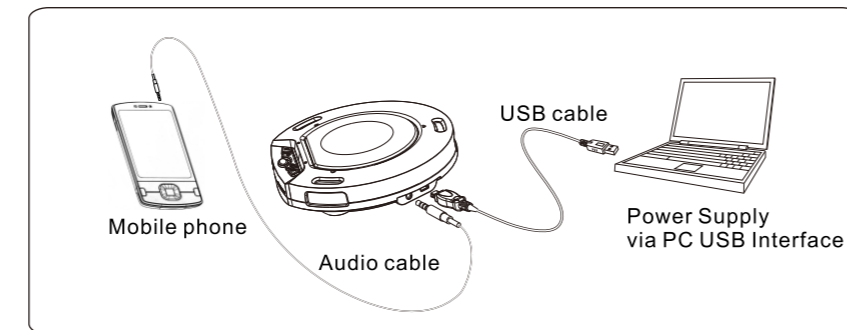
The indicator for working microphone will turn on.

Attention: Please cancel the mute function before enabling the microphone.

Attention: During use, if some malfunction occurs, please unplug and re-insert the USB cable so that the product can be powered off and re-started.

### B. Functional Operation for Mobile Phone Conferencing (Limited to some models)

The device can be used as an external loudspeaker for a mobile phone.



### 1. Installation before use.

As shown in the picture, first insert one end of the attached USB cable into the USB port of the device, with the other end inserted into the

USB port of the PC. At this moment, the Triangular indicators on the device will be on, which indicates that the device is started. In the second step, insert one end of the audio cable to the audio port of the device; at this time, the lit indicator will change to another color. Finally, insert the other end into the headset outlet of the mobile phone. Now you can conduct the function operation of mobile phone conference.

### 2. Function Operation

After the mobile phone is connected, you can make a call following the operation method of the mobile phone. After getting through to the counterpart, you can have a conference call on your mobile phone.

The operations of the functions such as adjustment of sound volume of the loudspeaker, adjustment of the sound volume of the microphone, the selection of pick-up direction of the microphone and the muting of microphone and loudspeaker are the same with those of Internet call conference.

You can end the mobile phone conference by pressing the Hang-up button.

### C. Music Playing and Audio Recording ( Limited to some models)

The product can be used as an external portable microphone and loudspeaker of the PC or mobile phone. Following the aforesaid connection method, you can play the music and record sound on the PC with the music player or recording app on the PC or mobile phone.

Attention: In the phone conference, please turn off the music playing and recording on the PC.

### Attentions to Obtain the Best Performance

1. To obtain the best performance, please read the operation instruction carefully and keep it for future reference.
2. Please install the product in a dry place with good ventilation, avoiding direct sunlight, vibration, wet and cold, and keep away from heat source and dust.
3. Please keep the product far from motor, transformer, and other electronic equipments to avoid disturbance.
4. The product shall not be exposed to large temperature variations or high humidity, in order to prevent condensation occurring inside, which may cause electric shock, fire, damage to the equipment, or personal injury.
5. Never install the product in a place where external objects may drop and liquid may splash.
6. The following objects shall never put on the product:
  - 1) Sporadic components, since they will cause damage and discoloration